



## Cleaning



- You can just rinse off pollen, sand, and dust with some water (from a hose or watering can).
- For stubborn dirt, use a lint-free cloth or a soft sponge with plenty of water and a light touch.
- To get rid of really tough grime, use warm water and a bit of regular dish soap.



### Stuff you should avoid:

- Don't rub your SunForm dry.
- Don't use any abrasive cleaners.
- Glass cleaners, solvents, and alcohol can damage the surface.
- Don't use a pressure washer.

## More info

... can be downloaded from the service area of the SunForm shop

([www.sunform.shop/service/](http://www.sunform.shop/service/)).

- Setup & Positioning
- Cleaning & Care
- Tips & Tricks

## Safety warnings



SunForms aren't toys and aren't suitable for kids under 3.  
The mounting kit might contain small parts - **choking hazard**.

If you use brute force (like bending it too much or hitting it hard), the plastic discs might break or splinter. Broken edges can be sharp or pointy and might cause cuts or stabs if you're not careful.

In that case, please wear proper gear (like safety goggles and gloves).

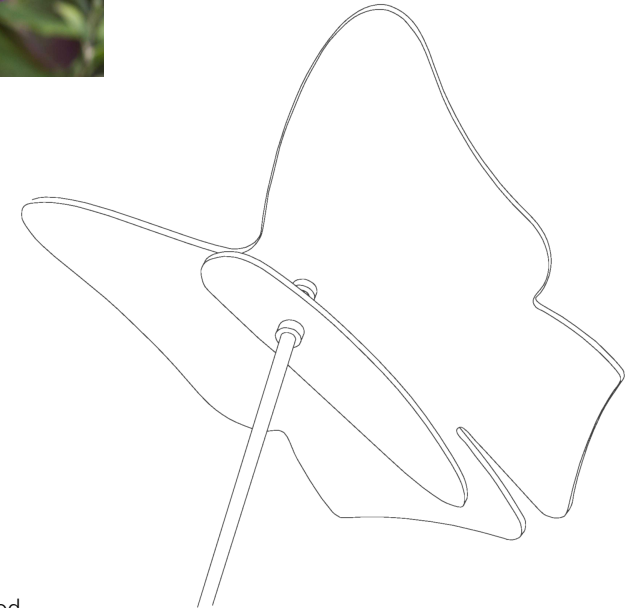


## Content

- What's in the box
- General tips
- Assembly guide
- Setting it up
- Cleaning
- More info
- Safety warnings

## What's in the box

- 1x Wings
- 1x Body
- 2x Colored ribbons
- 1x Flexible fiberglass swing rod
- 1x Assembly guide
- 1x Mounting kit



## General tips


- SunForms are generally winter-proof and can handle temperatures up to 75 °C.
- The discs come wrapped in protective film. For quality checks or with frosted, engraved, or coated discs (MultiColor), the film is removed during production.
- **To keep the film from tearing on delicate engravings or thin edges, please peel it off nice and slow.**
- The discs are heated up to be bent into shape. This can cause some bubbles to form under the protective film. Don't worry, though—those bubbles disappear when you peel off the film and don't affect the quality of the discs at all.

## Assembly Guide

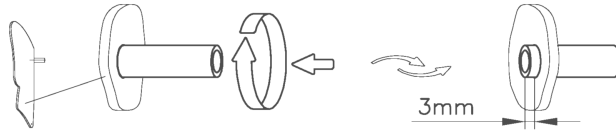
To put your SunForm together, you'll need:

 a damp cloth

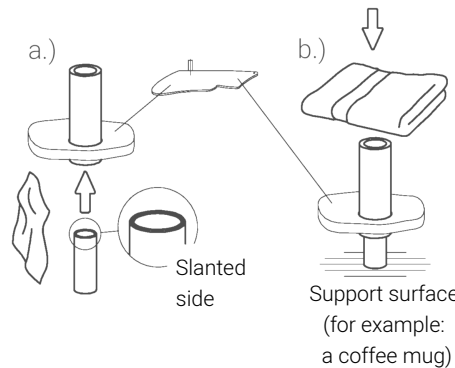
 and a tape measure.

**1.** First, pull the bearing out of the sleeve of the bearing clip. 

**2.** Screw the sleeve into the wing segment from underneath until it sticks out by about 3 mm.

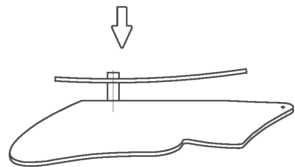


**3a.** Slightly dampen the bearing and press it (slanted side first) all the way into the sleeve. Push it in until it reaches the narrow part inside.

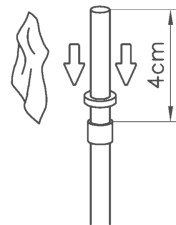


**3b.** Place the wings with the bearing facing down on a solid surface. Put a folded towel over them and press the wings (along with the sleeve) down over the bearing. You can use a coffee mug or a small bowl as a support—just make sure to cover it with a cloth first.

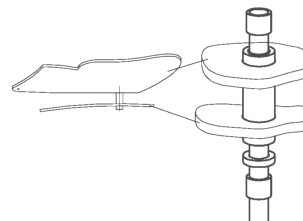
**4a.** Slide the butterfly's body onto the long end of the sleeve that sticks out past the bearing.



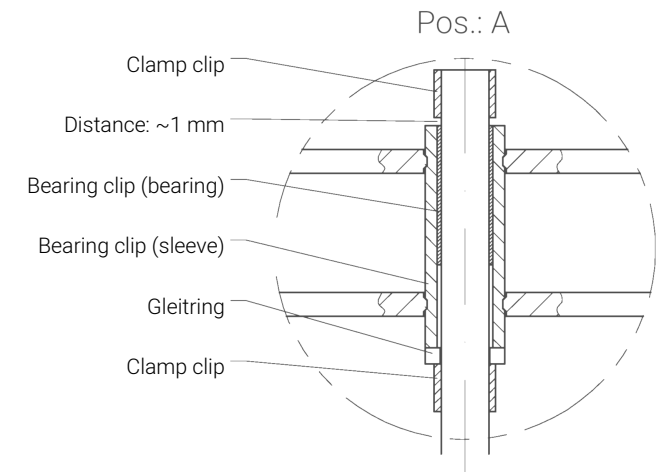
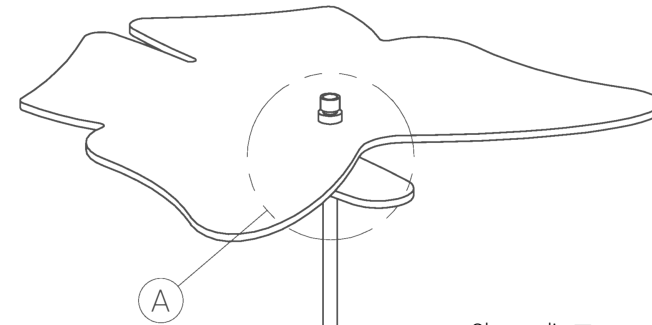
**4b.** Wet the rod a little and slide one clamp clip (including the sliding ring) about 4 cm onto the rod.



**4c.** Put the butterfly in place, then slide the second clamp clip onto the rod.



As long as the rod is still wet, you can easily adjust the discs by sliding or twisting them. After a few days, any moisture between the rod and the clips will have dried up. This is when the discs will be firmly locked into their final position.



## Setting it up

Sun catchers actually like shady spots best. So, it's better not to place your sun catcher in direct sunlight. In direct sun, everything looks so bright that your eyes can't really pick up the subtle differences in glow anymore.

You can just stick the rod for this SunForm straight into the ground. If the ground is hard and it's not too windy, about 15 cm deep is fine. If the soil is soft or you're expecting stronger winds, the rod should go about 20 to 25 cm deep.

Make sure the vibrations don't loosen the dirt and widen the hole over time. This would make the whole thing less stable. If that happens, just pull the rod out and stick it back in a slightly different spot.

If you need extra stability, you can also use the matching ground anchor (accessory / item no.: 95.00.201.XXX).

