



Cleaning



- You can just rinse off pollen, sand, and dust with some water (from a hose or watering can).
- For stubborn dirt, use a lint-free cloth or a soft sponge with plenty of water and a light touch.
- To get rid of really tough grime, use warm water and a bit of regular dish soap.



Stuff you should avoid:

- Don't rub your SunForm dry.
- Don't use any abrasive cleaners.
- Glass cleaners, solvents, and alcohol can damage the surface.
- Don't use a pressure washer.

More info

... can be downloaded from the service area of the SunForm shop

(www.sunform.shop/service/).

- Setup & Positioning
- Cleaning & Care
- Tips & Tricks

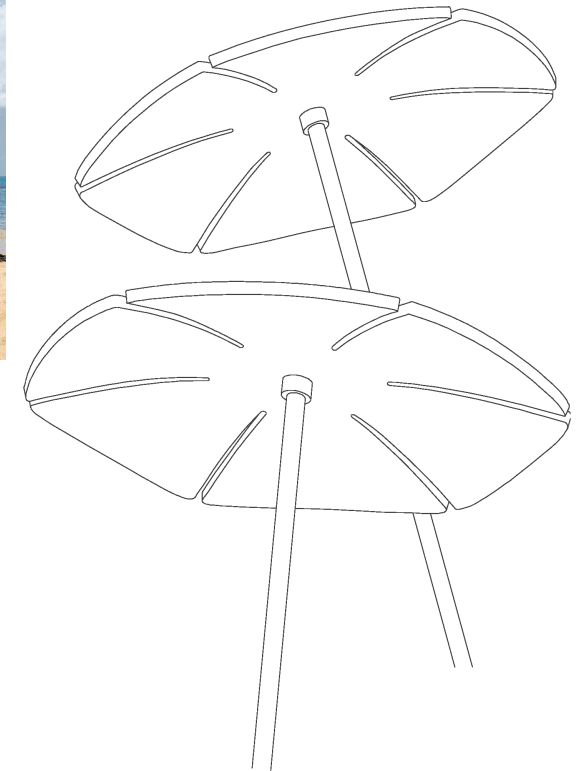
Safety warnings



SunForms aren't toys and aren't suitable for kids under 3.
The mounting kit might contain small parts - **choking hazard**.

If you use brute force (like bending it too much or hitting it hard), the plastic discs might break or splinter. Broken edges can be sharp or pointy and might cause cuts or stabs if you're not careful.

In that case, please wear proper gear (like safety goggles and gloves).



Content

- What's in the box
- General tips
- Assembly guide
- Setting it up
- Cleaning
- More info
- Safety warnings

What's in the box


- 2x Umbrellas
- 2x Fiberglass rod
- 1x Assembly guide
- 1x Mounting kit (might already be pre-assembled)

General tips

- SunForms are generally winter-proof and can handle temperatures up to 75 °C.
- The discs come wrapped in protective film. For quality checks or with frosted, engraved, or coated discs (MultiColor), the film is removed during production.
- **To keep the film from tearing on delicate engravings or thin edges, please peel it off nice and slow.**
- The discs are heated up to be bent into shape. This can cause some bubbles to form under the protective film. Don't worry, though—those bubbles disappear when you peel off the film and don't affect the quality of the discs at all.

Assembly Guide

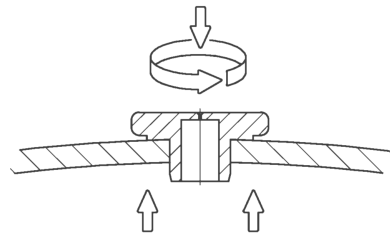
To put your SunForm together, you'll need:

 a damp cloth.



1.

Push the holding clip into the umbrella's hole from the top using a twisting motion. Make sure to apply counter-pressure right behind the hole itself.

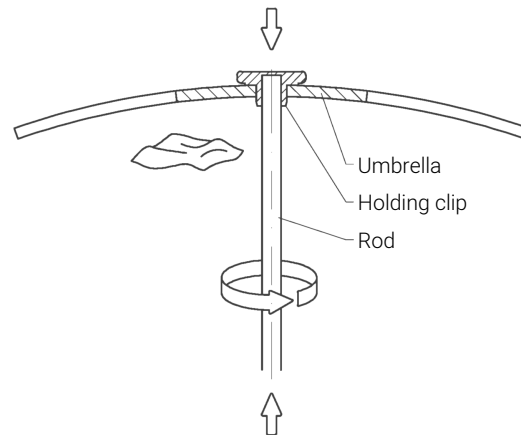


Try not to grab the umbrella by its delicate outer segments!

2.

Wet the tip of the mounting rod and slide or twist it into the clip until it won't go any further.

Please push on the clip itself, not on the umbrella, to get it in there.



3.

Now, peel off the protective films. Take it extra slow around the logo and right under the clip!



Pro tip

There's a tiny hole right in the center of the clip. If you'd rather hang your umbrella than stand it up, just thread a string through there before you put the rod in (or secure it with a big knot).

If the hole is too tight, you can carefully widen it with a thin nail or a thumbtack.

Setting it up

Sun catchers actually like shady spots best. So, it's better not to place your sun catcher in direct sunlight. In direct sun, everything looks so bright that your eyes can't really pick up the subtle differences in glow anymore.