



Cleaning



- You can just rinse off pollen, sand, and dust with some water (from a hose or watering can).
- For stubborn dirt, use a lint-free cloth or a soft sponge with plenty of water and a light touch.
- To get rid of really tough grime, use warm water and a bit of regular dish soap.



Stuff you should avoid:

- Don't rub your SunForm dry.
- Don't use any abrasive cleaners.
- Glass cleaners, solvents, and alcohol can damage the surface.
- Don't use a pressure washer.

More info

... can be downloaded from the service area of the SunForm shop

(www.sunform.shop/service/).

- Setup & Positioning
- Cleaning & Care
- Tips & Tricks

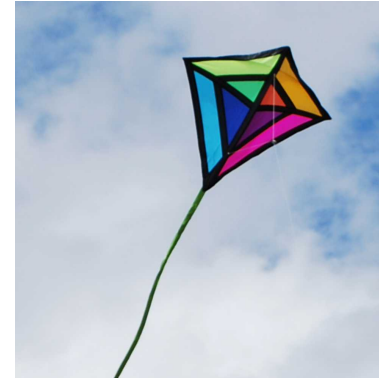
Safety warnings



SunForms aren't toys and aren't suitable for kids under 3.
The mounting kit might contain small parts - **choking hazard**.

If you use brute force (like bending it too much or hitting it hard), the plastic discs might break or splinter. Broken edges can be sharp or pointy and might cause cuts or stabs if you're not careful.

In that case, please wear proper gear (like safety goggles and gloves).



Content

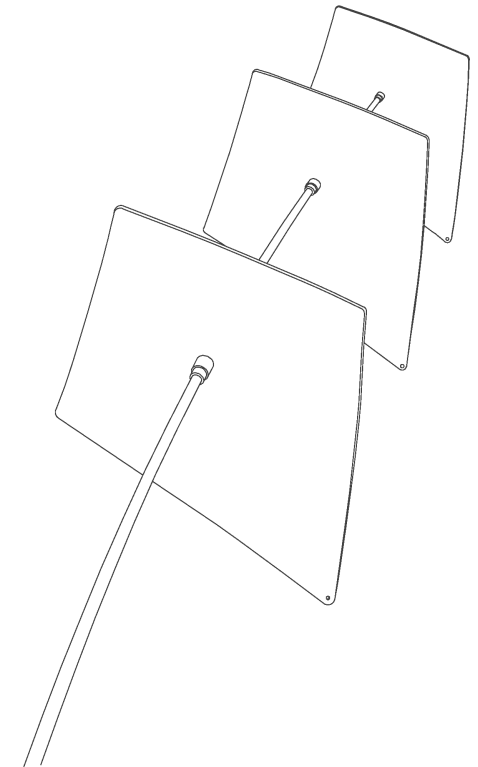
- What's in the box
- General tips
- Assembly guide
- Setting it up
- Cleaning
- More info
- Safety warnings

What's in the box

- 3x Kites
- 3x Colorful ribbons
- 2x Flexible fiberglass swing rod
- 1x Assembly guide
- 1x Mounting kit

General tips

- SunForms are generally winter-proof and can handle temperatures up to 75 °C.
- The discs come wrapped in protective film. For quality checks or with frosted, engraved, or coated discs (MultiColor), the film is removed during production.
- **To keep the film from tearing on delicate engravings or thin edges, please peel it off nice and slow.**
- The discs are heated up to be bent into shape. This can cause some bubbles to form under the protective film. Don't worry, though—those bubbles disappear when you peel off the film and don't affect the quality of the discs at all.



Assembly Guide

To put your SunForm together, you'll need:



a damp cloth



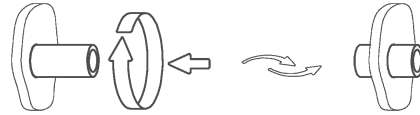
and a tape measure.



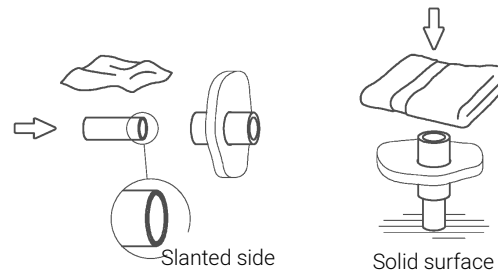
1. First, pull the slide bearings out of the sleeves.



2. Then, screw the sleeves into the holes on the kites.

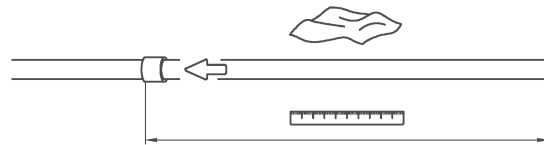


3. Wet the slide bearings a bit and push them all the way into the sleeves, slanted side first. Make sure they go right up to the narrow part inside the sleeve. Place the disc with the bearing face down on a solid surface. Lay a folded towel over it and press the disc (along with the sleeve) down onto the bearing.

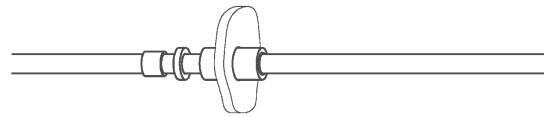


4. Wet the rod and slide a locking clip down to the bottom position (take a look at the sketch).

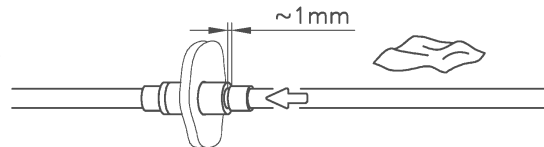
Pro tip: Use a slide bearing to help move the clips along.



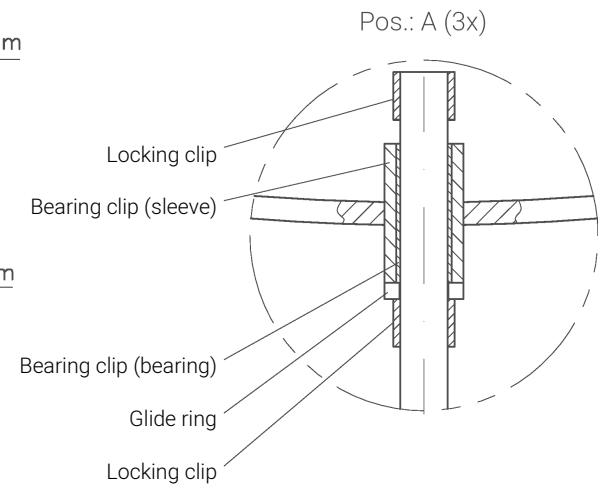
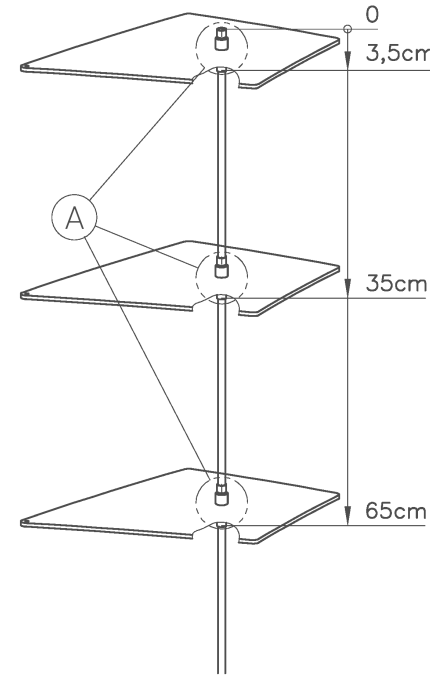
5. Now, slide a glide ring and one of the kites onto the rod.



6. Slide another locking clip onto the rod. Leave a little gap between it and the bearing clip so your kite can spin freely later on.



Just repeat steps 4 through 6 for each kite.



The measurements are just suggestions.

Feel free to place the kites however you like and change the spacing to suit your own style!

Setting it up

Sun catchers actually like shady spots best. So, it's better not to place your sun catcher in direct sunlight. In direct sun, everything looks so bright that your eyes can't really pick up the subtle differences in glow anymore.

You can just stick the rod for this SunForm straight into the ground. If the ground is hard and it's not too windy, about 15 cm deep is fine. If the soil is soft or you're expecting stronger winds, the rod should go about 20 to 25 cm deep.

Make sure the vibrations don't loosen the dirt and widen the hole over time. This would make the whole thing less stable. If that happens, just pull the rod out and stick it back in a slightly different spot.

If you need extra stability, you can also use the matching ground anchor (accessory / item no.: 95.00.201.XXX).

