



Cleaning



- You can just rinse off pollen, sand, and dust with some water (from a hose or watering can).
- For stubborn dirt, use a lint-free cloth or a soft sponge with plenty of water and a light touch.
- To get rid of really tough grime, use warm water and a bit of regular dish soap.



Stuff you should avoid:

- Don't rub your SunForm dry.
- Don't use any abrasive cleaners.
- Glass cleaners, solvents, and alcohol can damage the surface.
- Don't use a pressure washer.

More info

... can be downloaded from the service area of the SunForm shop (www.sunform.shop/service/).

- [Setup & Positioning](#)
- [Cleaning & Care](#)
- [Tips & Tricks](#)

Safety Tips



SunForms aren't toys and aren't suitable for kids under 3.
The mounting kit might contain small parts - **choking hazard**.

If you use brute force (like bending it too much or hitting it hard), the plastic discs might break or splinter. Broken edges can be sharp or pointy and might cause cuts or stabs if you're not careful.

In that case, please wear proper gear (like safety goggles and gloves).



Contents

- What's Included
- General Info
- Assembly Instructions
- Setup & Mounting
- Cleaning
- More Information
- Safety Tips

What's Included

- 3x Kites
- Swing rod
- Assembly guide
- Mounting kit

General Info

- SunForms are generally winterproof and can withstand temperatures up to 75°C.
- The acrylic discs are delivered with a protective film. For quality checks, or in the case of satin-finished, engraved, or coated discs (MultiColor), this film is removed during production.
- To make sure the protective film doesn't rip on finely engraved areas or thin edges, please peel it off as slowly as possible.
- The discs are heated for the bending process. This can cause bubbles to form under the protective film. Don't worry, though—these bubbles come off right along with the film and have no impact on the quality of the discs.



Assembly Instructions

To put this SunForm together, you will need:

 A damp cloth.

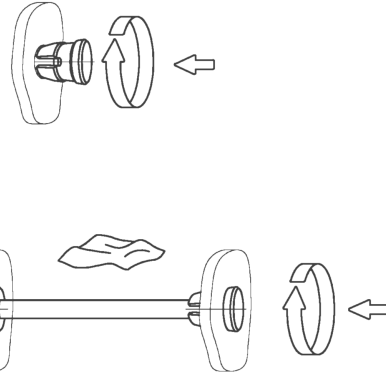


Mounting on the Rod

Insert one clip into the mounting hole of each kite.

If a kite is going on the very top of the rod, you can use the top clip (the one that doesn't go all the way through).

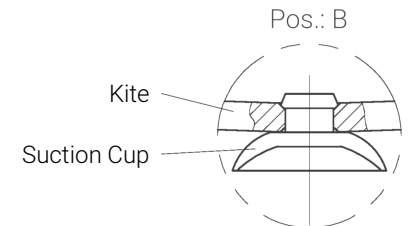
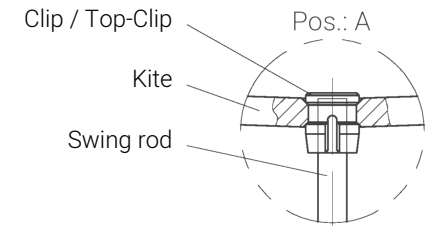
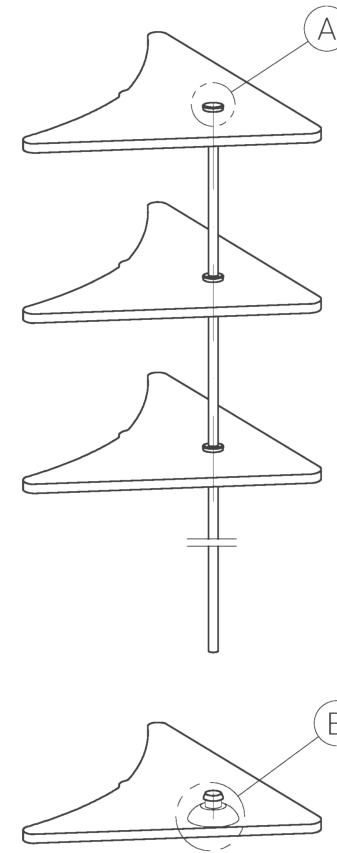
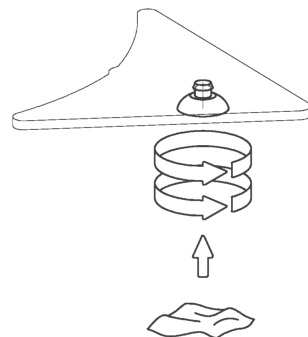
For the other two kites, please use the regular (through-hole) clips.



Dampen the rod and slide the kites (using a twisting motion) to your desired position or to the end of the rod.

Mounting with the Suction Cup

Dampen the suction cups and twist them into the mounting holes of the kites using moderate pressure. Make sure to turn them in **one direction only** (don't twist them back and forth).



Setup & Mounting

Sun catchers love daylight, but they actually prefer **shadier spots** without harsh, direct sunlight.

- **In the ground:** You can just push the rods straight into the soil. If the ground is firm and it's not too windy, about 3 inches deep is plenty. If the soil is soft or you expect a lot of wind, push them down about 4 to 5 inches.
- **On windows/surfaces:** You can also use the suction cups to stick the kites to any smooth surface.

A Quick Heads-Up!

Suction cups on smooth surfaces don't usually hold forever. Please check how well they're sticking every now and then, and give them a firm press if they start getting loose.

Handy Tip



If your old suction cups have gone stiff and hardened up, just pop them into boiling water for about a minute to make them soft and flexible again!